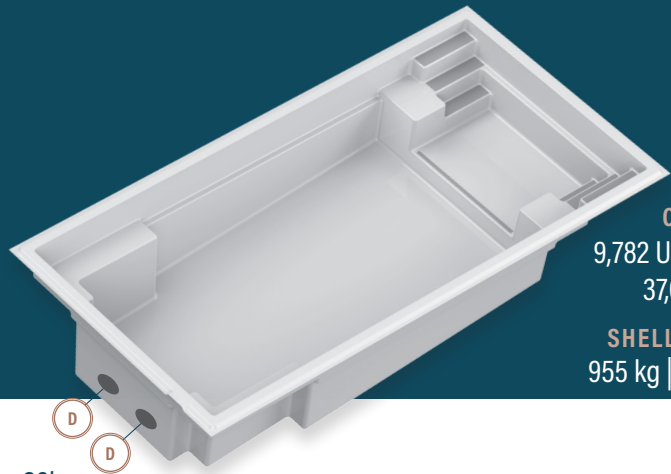


# moval

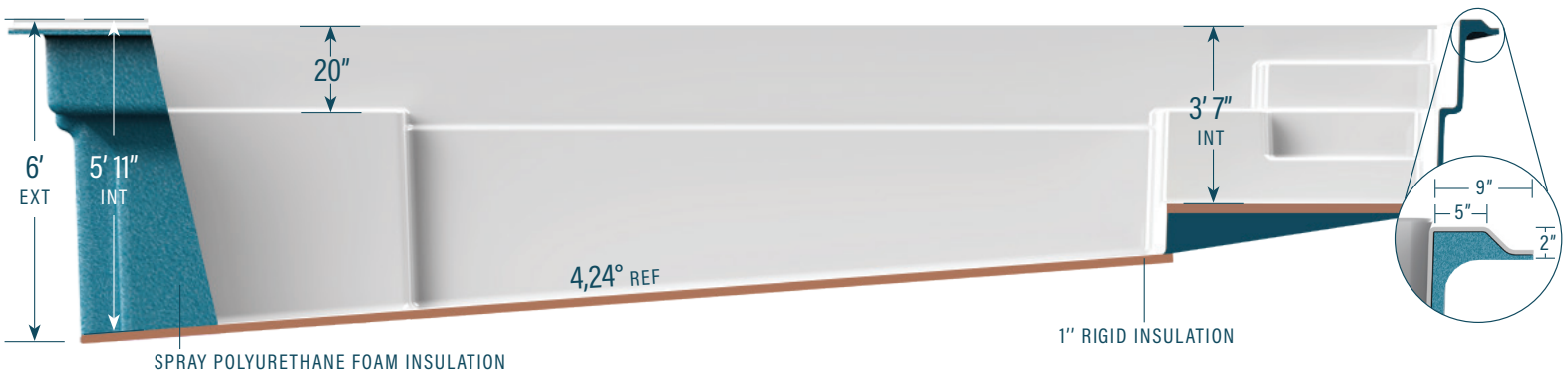
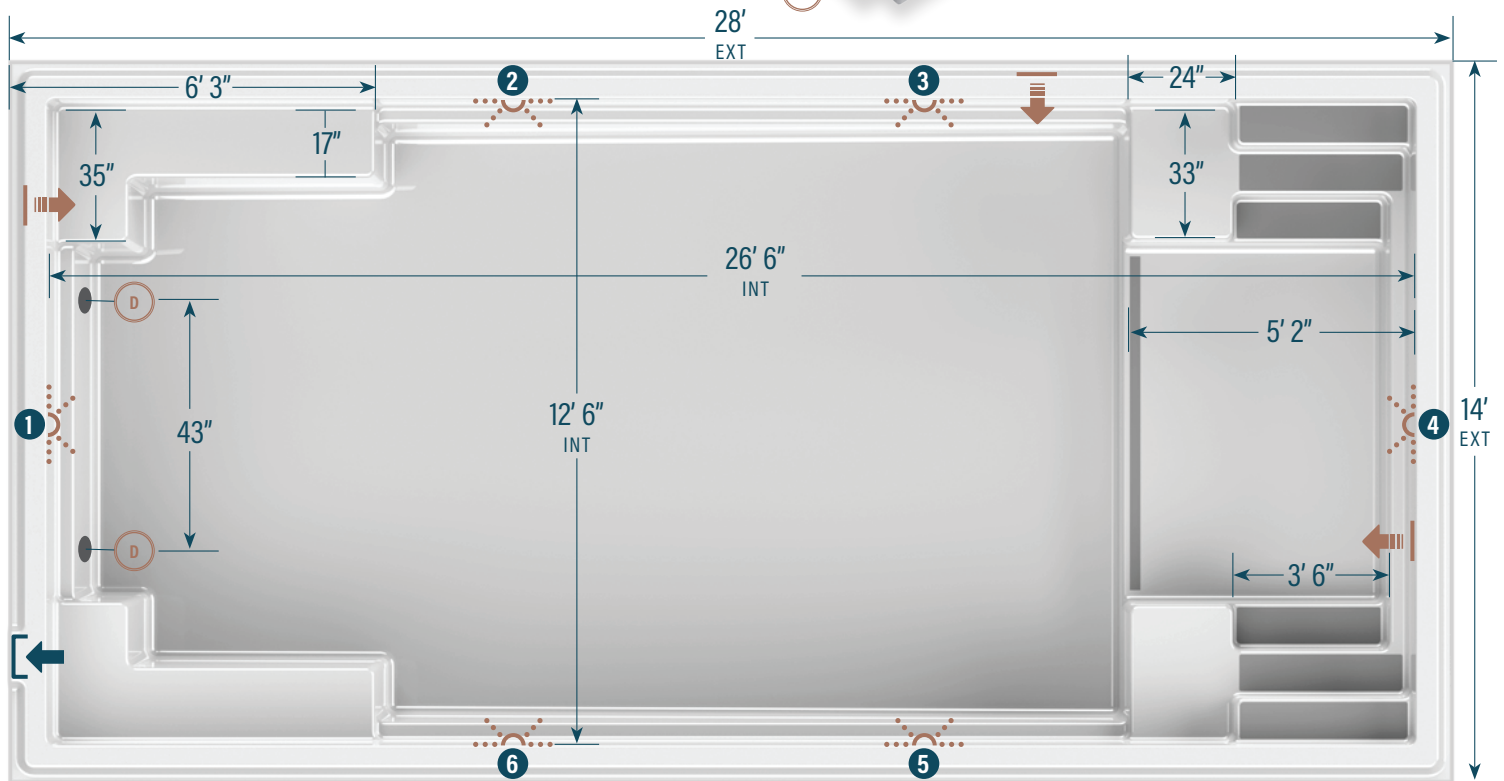
CONTEMPORARY POOLS

## 14' x 28'- slope



**CAPACITY**  
9,782 US gallons  
37,030 litres

**SHELL WEIGHT**  
955 kg | 2,100 lbs



### LEGEND

SKIMMER → ]	SIDE BOTTOM DRAIN (D)	WATER RETURN ← ]]	LED LIGHT (dotted circle)	COLORS WISPY GREY (grey box) CLOUD WHITE (white box)
-------------	-----------------------	-------------------	---------------------------	--

<b>LED LIGHT OPTION</b> (Circle the desired LED lights)	1	2	3	4	5	6
--	---	---	---	---	---	---



The information in this document is provided for informational purposes only. Consult an authorized dealer and the Mova Pools installation guide for product specifications and installation instructions before purchasing a pool. An installation that does not conform to the instructions may void your warranty.

\*Not a resident of Quebec or the Ottawa area? This model is available at a retailer near you.

**MOVAPOLS.COM**